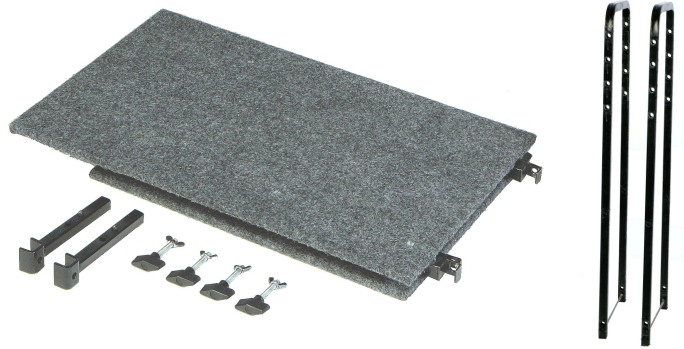


# Multi-Cart Expandable Shelf Kit Installation Instructions

Congratulations on your purchase of the Multi-Cart Expandable Shelf Kit. This kit converts Multi-Carts into a long or short shelf cart in seconds with no special tools. The shelf then quickly detaches and folds small for easy transport.

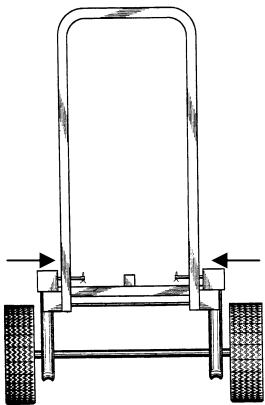
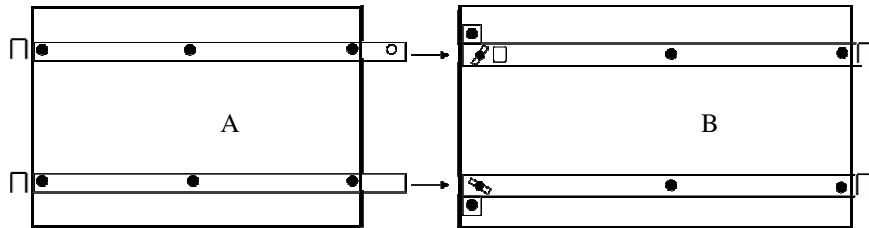
## Your Shelf Kit includes:

- (1) 29"x18" carpeted shelf section with 1" square tube supports
- (1) 22.25"x18" carpeted shelf with 3/4" square tube supports
- (2) 3/4"x7.25" U-bracket short support tubes
- (4) 5/16"x1.5" wingbolts
- (4) 5/16" wingnuts
- spring-loaded 3/8" wingbolts



## LONG SHELF ASSEMBLY

Place shelf sections A & B end to end on the floor as shown. Unscrew the wingbolts until the end of the bolts are flush with the inside of the tube. While holding down the snap buttons, insert the two 3/4" tube sections into the two 1" square tube sections. Insert until snap button snaps through the hole. Make sure everything is square and firmly tighten the two wingbolts by hand.



## (Note: Models without perforated handles.) INSTALLING NEW PERFORATED HANDLES

Position the 2 U-shaped perforated foldable handles (FRONT & REAR) side by side. Notice that over the ends with the release cables, one handle has pivot pin holes drilled 1.5" from the end of the handle and one has holes 2.25" from the end of the handle. **IMPORTANT: Match these holes with the old handles on the cart so you know front and rear.** Remove the 2 cotter pins, one at a time, bend the end of each side inward **JUST ENOUGH** to clear the pivot pins and slide the handle off. (Fig. 2) Replace the old front handle with the new perforated handle and reinstall the cotter keys. Repeat procedure for the rear handle. **DO NOT EXCESSIVELY BEND HANDLE ENDS.**

## LONG SHELF ASSEMBLY

Fully extend cart frame until snap button locks in place. Tighten frame wingnuts under main frame bed. Lay cart on its side and position assembled shelf over the cart with the U-brackets facing **down**. Align Shelf U-Bracket holes with the foldable side holes (Fig. 1). Make sure the 1" sq. tube on the shelf is oriented the same direction as on the car frame bed, insert wingbolts, tighten wingnuts and position cart upright (Fig. 2). Reverse procedure to detach shelf.

## SHORT SHELF ASSEMBLY

Insert the two short U-Bracket tubes into Section A. Make sure to point the brackets in the same direction as those on Section A. Tighten wingbolts. Lay the cart on its side and install short shelf the same as the long shelf. (Fig. 3)



Fig. 1

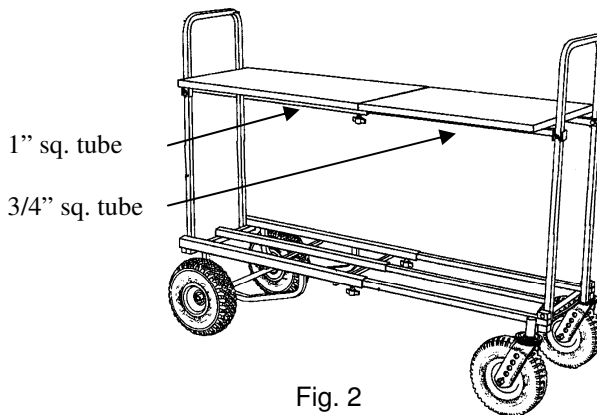


Fig. 2

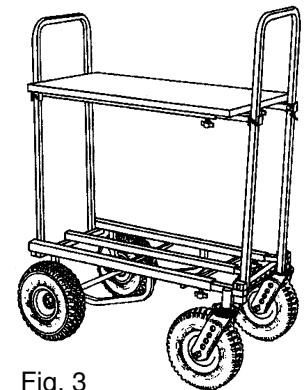


Fig. 3